

DH-PFH610N-H Light-Duty Housing (POE)

Product Features:

- IP66 compliance
- Integrated design, concealed outlet
- Support wall mount, surface installation and pendant
- Built-in POE+module, max power 25.5W
- Support heating, heat dissipation
- Able to adopt various cameras, block camera.

Product Appearance



Application Scene

Coordinate with front-end products, adaptive temperature -40~60°C; apply to the environment where the humidity is less than 90%.

Product Technical Specifications

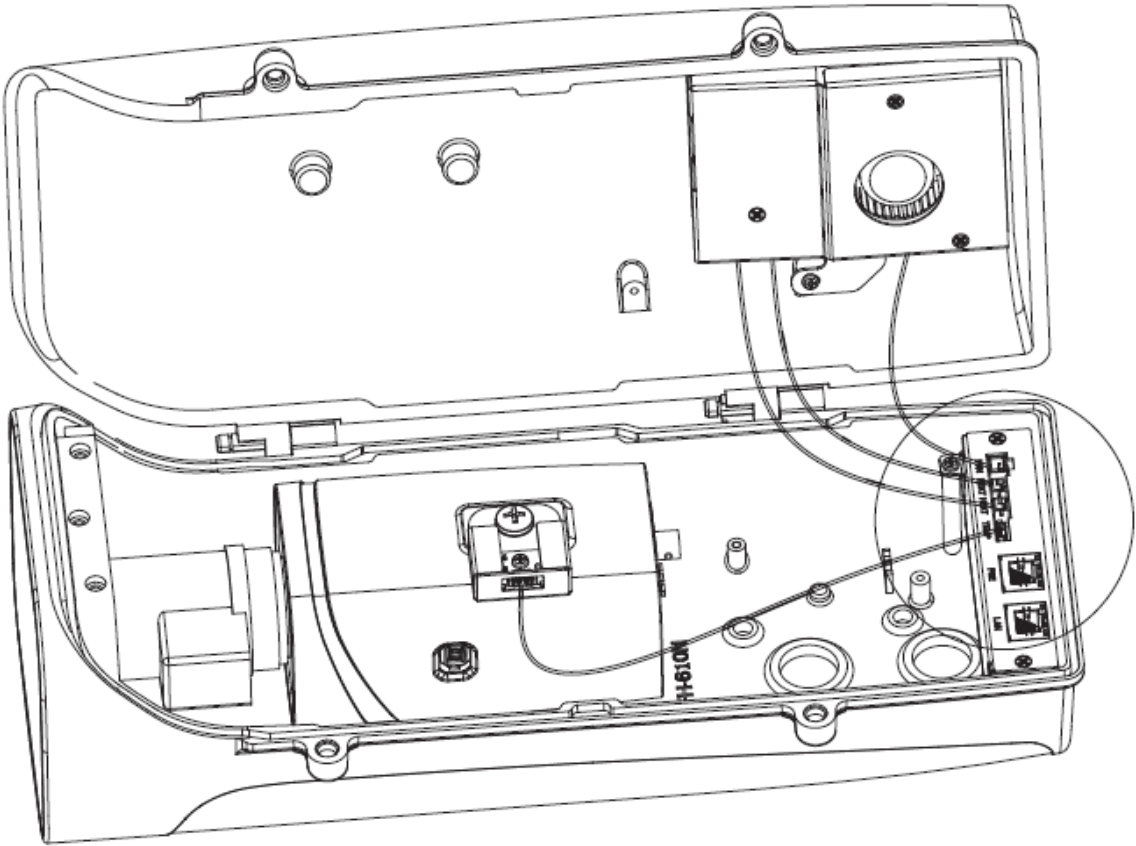
Parameter/Model	DH-PFH610N-H
Material	The shell is aluminum, the decorating parts is PC
Dimension	404(L)*164(W)*132(H)
Window Size	100 (L)*80(W)
Internal Dimension	255mm(L)×90mm(W)×70.5mm(H) or 215mm(L)×90mm(W)×83mm(H)
Waterproof Level	IP66
Open Mode	Lateral
Work Environment	Adaptive temperature -40~60°C; Apply to the environment where humidity is less than 90%.
Weight	3.0kg
Installation Mode	Wall mount, pendant and surface installation
Power	POE+
Power Consumption	25.5W
Heating/Heat Dissipation Process	When enable:

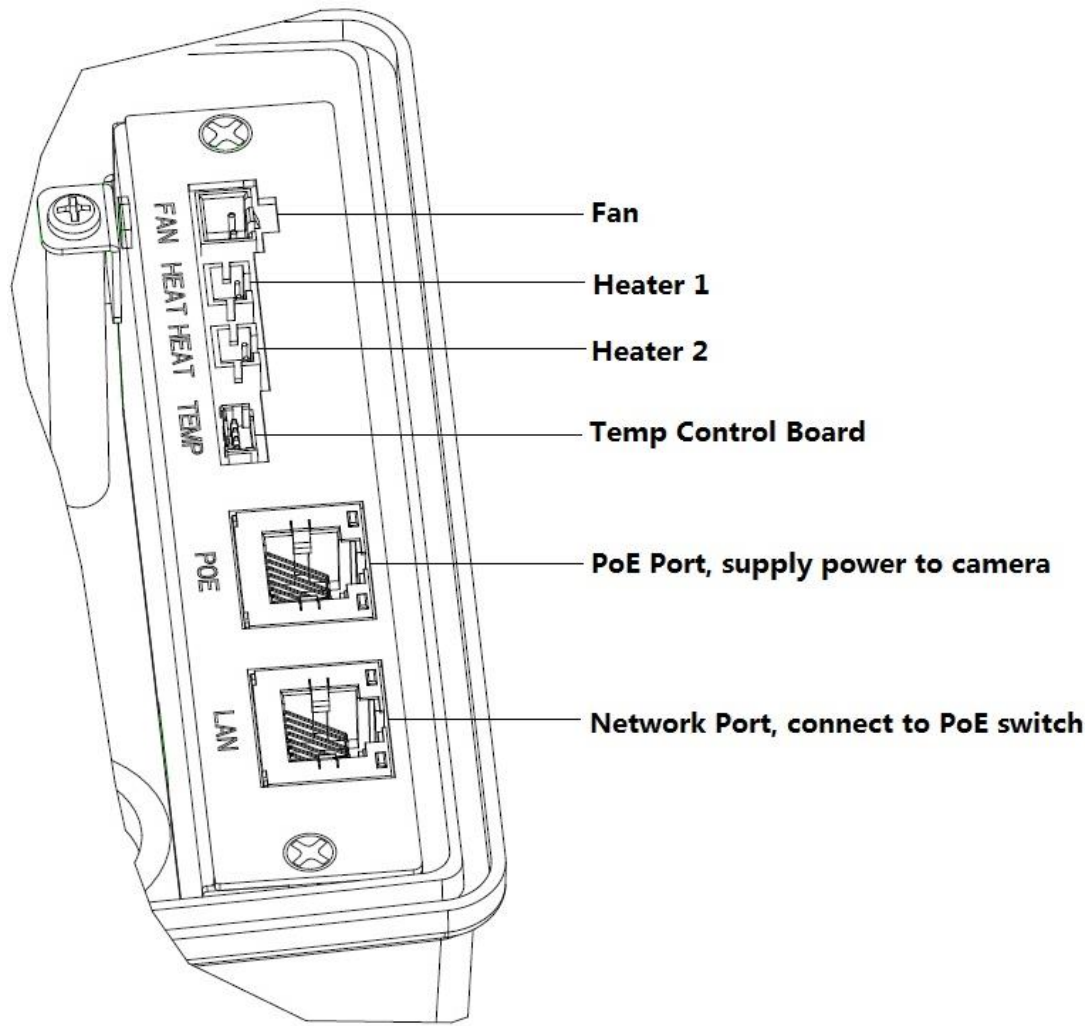
- $< -29 (\pm 1)$ degrees---Enable camera after heater (20W) works 40 minutes
- $-28 \sim 5 (\pm 1)$ degrees---Heater (10W) works, meanwhile camera enabled
- $5 \sim 20 (\pm 1)$ degrees---Enable camera, disable fan and the heater works normally
- $> 20 (\pm 1)$ degrees----Enable camera and fan

During operation (PoE realizes continuous power supply to camera at any temperature as long as power is not cut off.):

- $< 5 (\pm 1)$ degrees---Enable heater (10W), to temperature increases to $15 (\pm 1)$ degrees to disable heater
- $> 37 (\pm 1)$ degrees---Enable fan, to temperature decreases to $20 (\pm 1)$ degrees to disable fan
- $15 \sim 20 (\pm 1)$ degree---Disable fan and heater

POE Module Assembly Guide





Recommended Matching Accessories



DH-PFB604W



DH-PFB600W



DH-PFA160